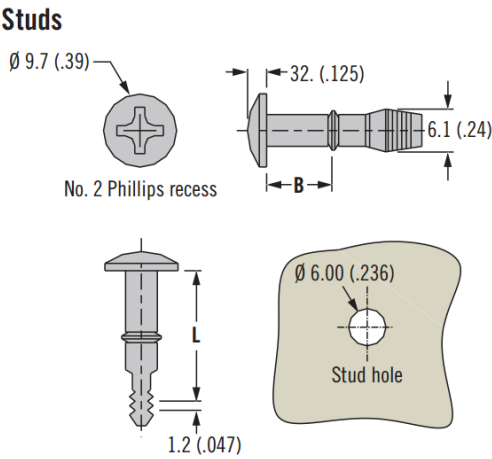
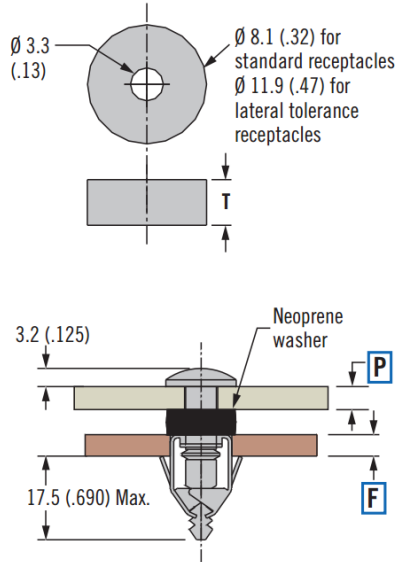


D7 DZUS® Pilot Quarter-Turn Fasteners

Studs



Washer



Material

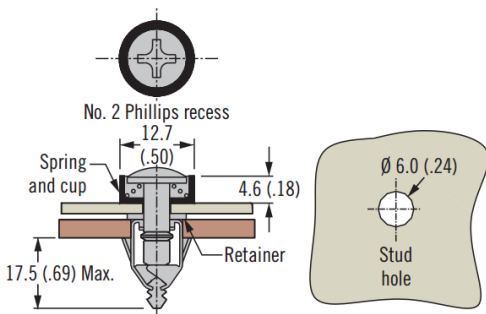
- Studs: Steel, zinc plated plus chromate
- Washer: Neoprene, black

Notes

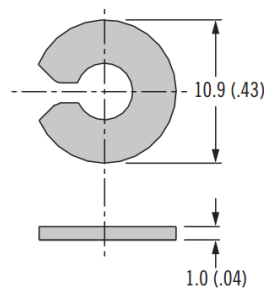
- Select stud and washer part number from table based on your panel thickness **P**
- Order stud and washer separately

P Panel Thickness	Stud L	Stud B	T Washer Thickness	Part Number			
				Stud		Neoprene Washer	
				Black chromate	Bright chromate	For standard receptacle	For lateral tolerance receptacle
1.3 (.05) to 1.7 (.07)	16 (.63)	7.1 (.28)	4.1 (.16)	D7-265-716-191	D7-265-716-190	D7-275-040-400	D7-275-140-400
1.8 (.07) to 2.2 (.09)	16 (.63)	7.1 (.28)	3.6 (.14)	D7-265-716-191	D7-265-716-190	D7-275-035-400	D7-275-135-400
2.3 (.09) to 2.7 (.11)	17.8 (.70)	8.9 (.35)	5.1 (.20)	D7-265-718-191	D7-265-718-190	D7-275-050-400	D7-275-150-400
2.8 (.11) to 3.2 (.12)	17.8 (.70)	8.9 (.35)	4.6 (.18)	D7-265-718-191	D7-265-718-190	D7-275-045-400	D7-275-145-400
3.3 (.13) to 3.7 (.15)	17.8 (.70)	8.9 (.35)	4.1 (.16)	D7-265-718-191	D7-265-718-190	D7-275-040-400	D7-275-140-400
3.8 (.15) to 4.2 (.17)	17.8 (.70)	8.9 (.35)	3.6 (.14)	D7-265-718-191	D7-265-718-190	D7-275-035-400	D7-275-135-400
4.3 (.17) to 4.8 (.19)	20.0 (.79)	10.9 (.43)	5.1 (.20)	D7-265-720-191	D7-265-720-190	D7-275-050-400	D7-275-150-400

Self-Ejecting Studs



Retainer, Plastic



Material

- Steel, zinc plated and thermoplastic black

Notes

- Select stud and washer part number from table based on your panel thickness **P**
- Stud, cup and spring shipped pre-assembled
- Order retainer separately

P Panel Thickness	Part Number	
	Black	Bright
0.5 - 3.0 (.02 - .12)	D7-290-718-191	D7-290-718-190
2.5 - 5.1 (.10 - .20)	D7-290-720-191	D7-290-720-190

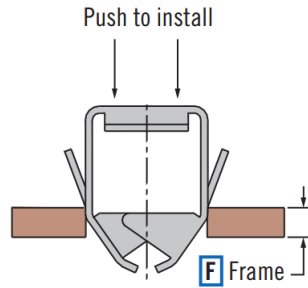
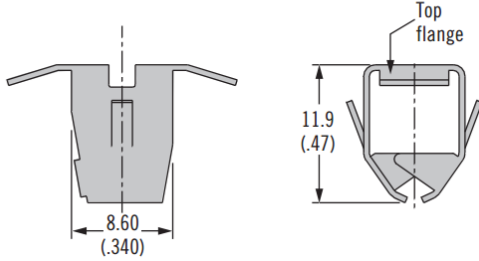
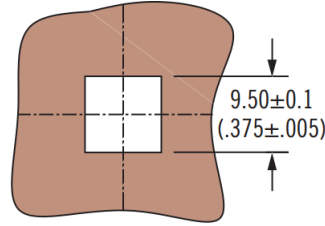
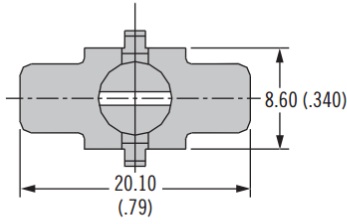
Part Number
D7-275-203-040

D7 DZUS® Pilot Quarter-Turn Fasteners

Receptacles



Standard



Material

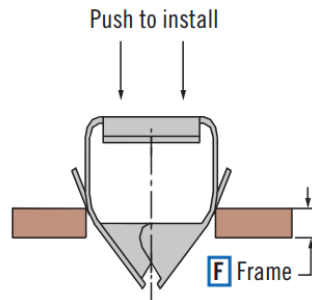
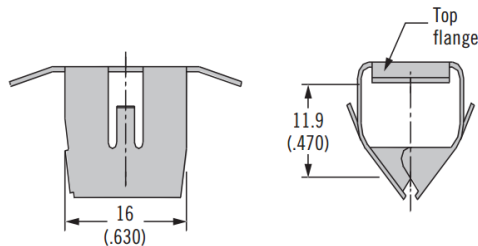
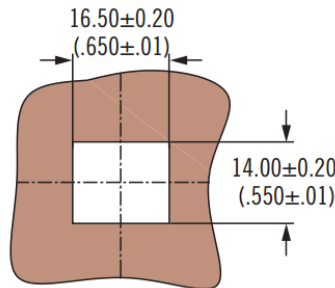
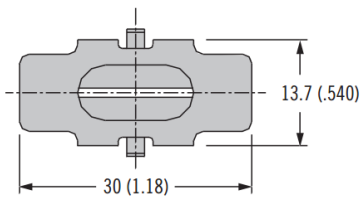
- Spring steel, zinc phosphate

Notes

- Select receptacle based on frame thickness **F**

F Frame Thickness		Part Number
Min.	Max.	
0.63 (.025)	1.24 (.049)	D7-285-101-161
1.27 (.050)	1.75 (.069)	D7-285-102-161
1.78 (.070)	2.26 (.089)	D7-285-103-161

Lateral Tolerance



Material

- Spring steel, zinc phosphate

Notes

- Select receptacle based on frame thickness **F**

F Frame Thickness		Part Number
Min.	Max.	
0.63 (.025)	1.24 (.049)	D7-285-201-161
1.27 (.050)	1.75 (.069)	D7-285-202-161
1.78 (.070)	2.26 (.089)	D7-285-203-161
2.29 (.090)	2.77 (.109)	D7-285-204-161
2.79 (.110)	3.28 (.129)	D7-285-205-161